



ACTIVITY BOOK



FOR THE SKILLED TRADES





Our Vision & Passion...

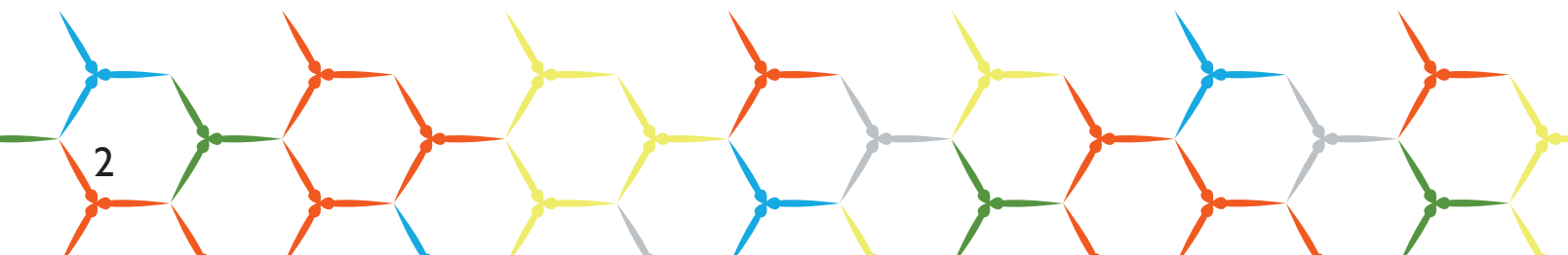
Professional Women in Building of Central Oklahoma is a diverse network of home building industry professionals with a passion to support the residential and commercial construction industry while connecting with our communities locally, state-wide, and nationally. Members have begun to make meaningful strides to build a more diverse workforce, mentor the next generation of building professionals and bring awareness to the important roles women and many skilled trades serve for the construction industry. We hope to bridge a gender gap & engage with other organizations to help continue building strong, self-confident, driven, & established young professionals into our future workforces, embracing a stronger, more resilient OKC.

Build My Future OKC was just 1 way we engaged in 2019 with our community youth & this Activity Book is yet another exciting way to catch an even younger child's attention!! Getting children exposed to the variety of skilled trades during elementary school and continuing through high school with **Build My Future OKC** will aid in promoting the skilled trades as viable & fulfilling as a four-year degree after high school graduation.

The Professional Women in Building Council want our youth of today to know their options. We want everyone to stay safe and stay tuned, we have not stopped reaching out for local needs & will have opportunities for additional engagement during Careers in Construction month & other upcoming community initiatives!

Sincerely,
Professional Women in Building of Central Oklahoma Home Builders Association

For more information please go to www.buildmyfutureokc.com.



Activity Book for the Skilled Trades

Presented by:



CONTACT INFORMATION

Learn more about careers within the skilled trades and events coming up to participate in!

BMF OKC webpage = www.buildmyfutureokc.com

Facebook = @BMFOKC

Instagram = @buildmyfutureokc

YouTube Channel = buildmyfutureokc

Word Search

Find the following jobs in the Skilled Trades.

Y R N O S A M P K L P Q E P K
J Y U R F S A T A E S L Y R P
J H H H Q I K C N B E J J V L
K K H E N H I H J X G D R N U
C M Q T T R S B Y A R I C W M
M A E X T Y C M S F U J A N B
R R R C W T R M Z K G K V I I
C F E P R S C W T U Y L H B N
H L R X E E Z M G U M U G D G
E S S E Y N D V R G A Z Q O T
D M F K T Z T L U Q J S I A H
N D G C A C B R I S M I W C W
R M I E B Y O Z Y U K U M I M
M W U K F Q T S S X B B V N H
A R C H I T E C T T I L S H T

Word Bank:

ARCHITECT
BUILDER

CARPENTRY
ELECTRICAL

HVACR
MASONRY

PAINTER
PLUMBING

Creative Building Skills

Can you solve these math problems using the key at the bottom?

$$\text{Ladder} + \text{Hard Hat} = \square$$

$$\text{Hammer} - \text{Ladder} = \square$$

$$\text{Hammer} + \text{Wrench} = \square$$

$$\text{Hard Hat} - \text{Wrench} = \square$$

$$\text{Ladder} + \text{Hammer} = \square$$

$$\text{Wrench} - \text{Hammer} = \square$$

$$\text{Hammer} + \text{Hard Hat} + \text{Wrench} - \text{Ladder} = \square$$

Key

$$\text{Ladder} = 1$$

$$\text{Hammer} = 2$$

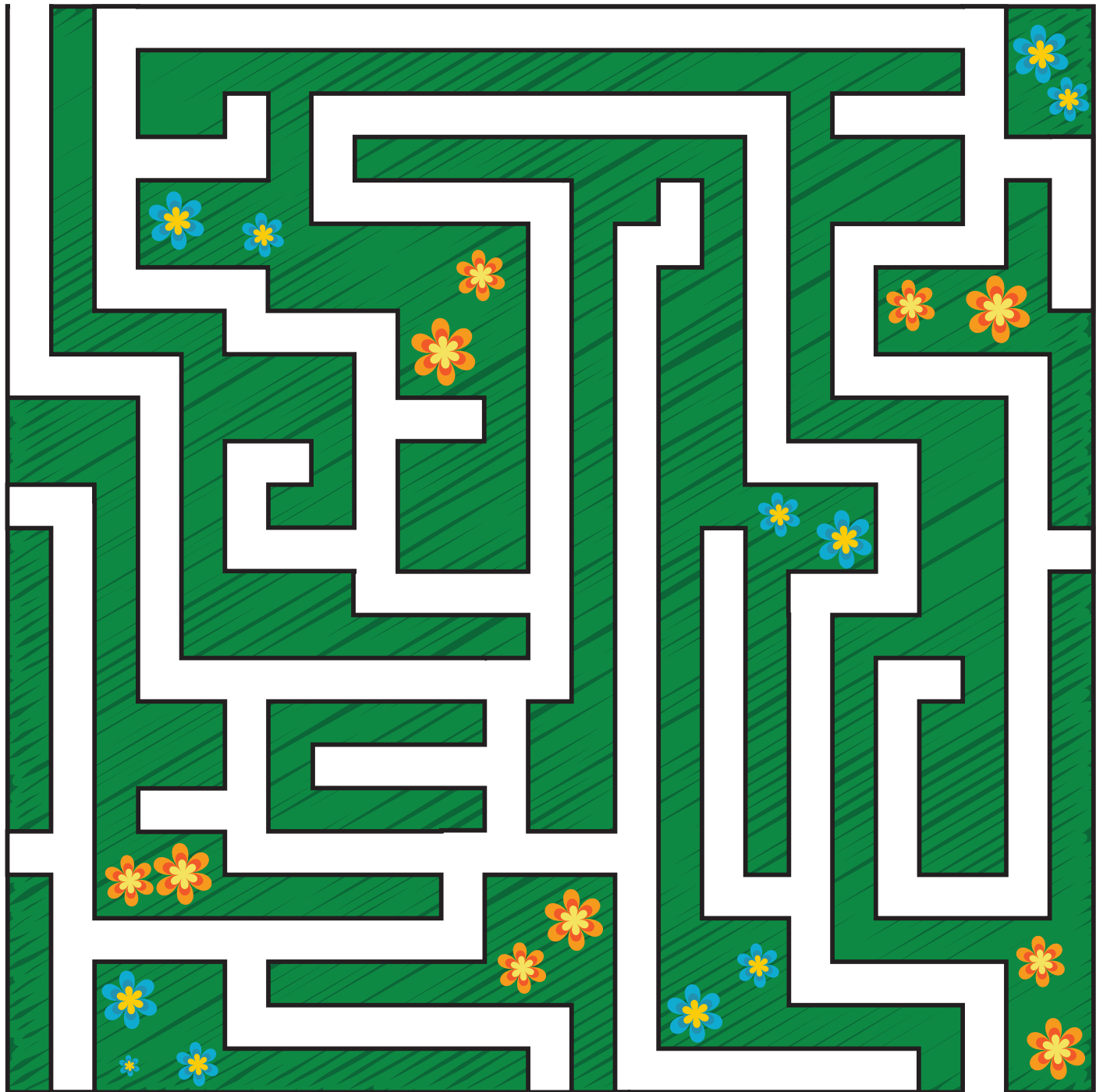
$$\text{Wrench} = 3$$

$$\text{Hard Hat} = 4$$

Garden Maze

Billy, the Landscape Artist, created a maze in the park.
Can you get from start to finish?

Start

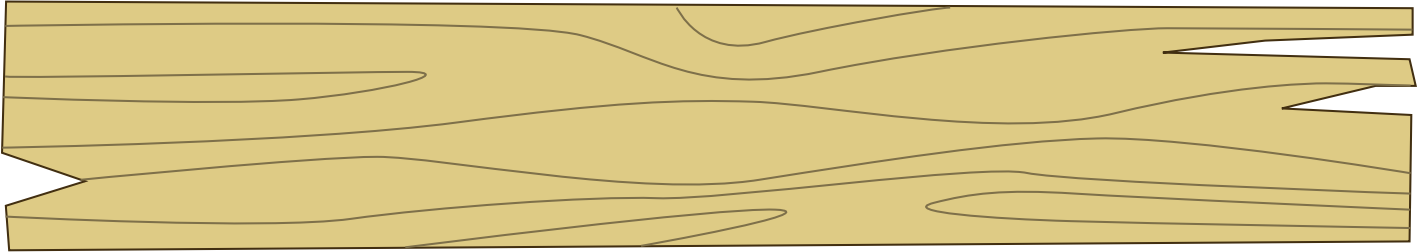


Finish

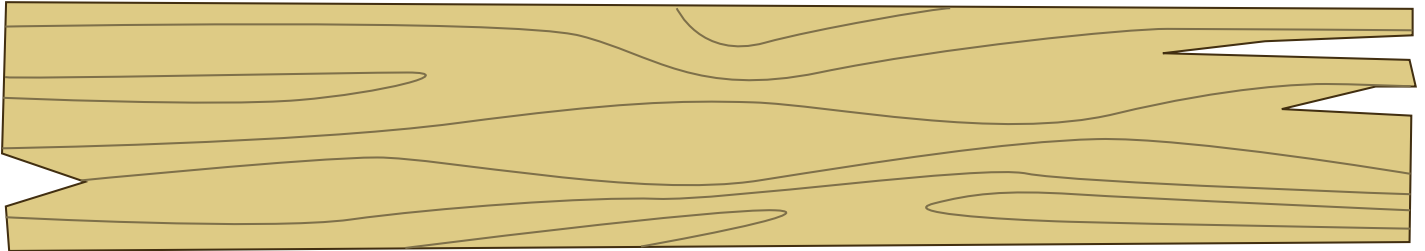
Help Measure The Wood

Andrea needs help measuring the wood so she knows where to cut each piece. Use a ruler and draw a line at each specified distance.

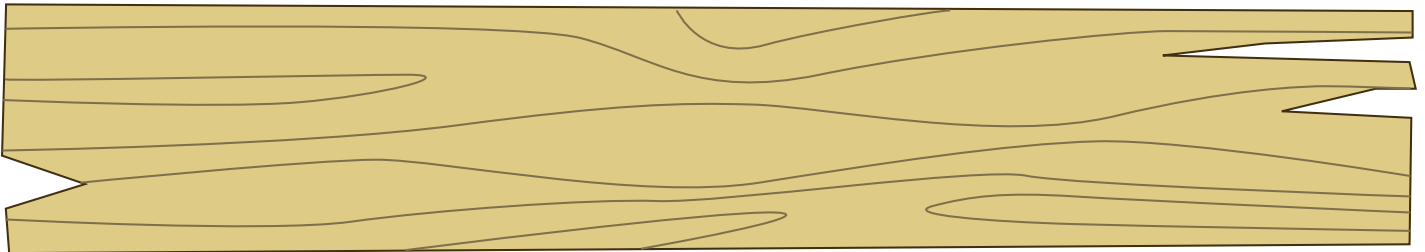
6 inches



4 1/2 inches



2 3/4 inches

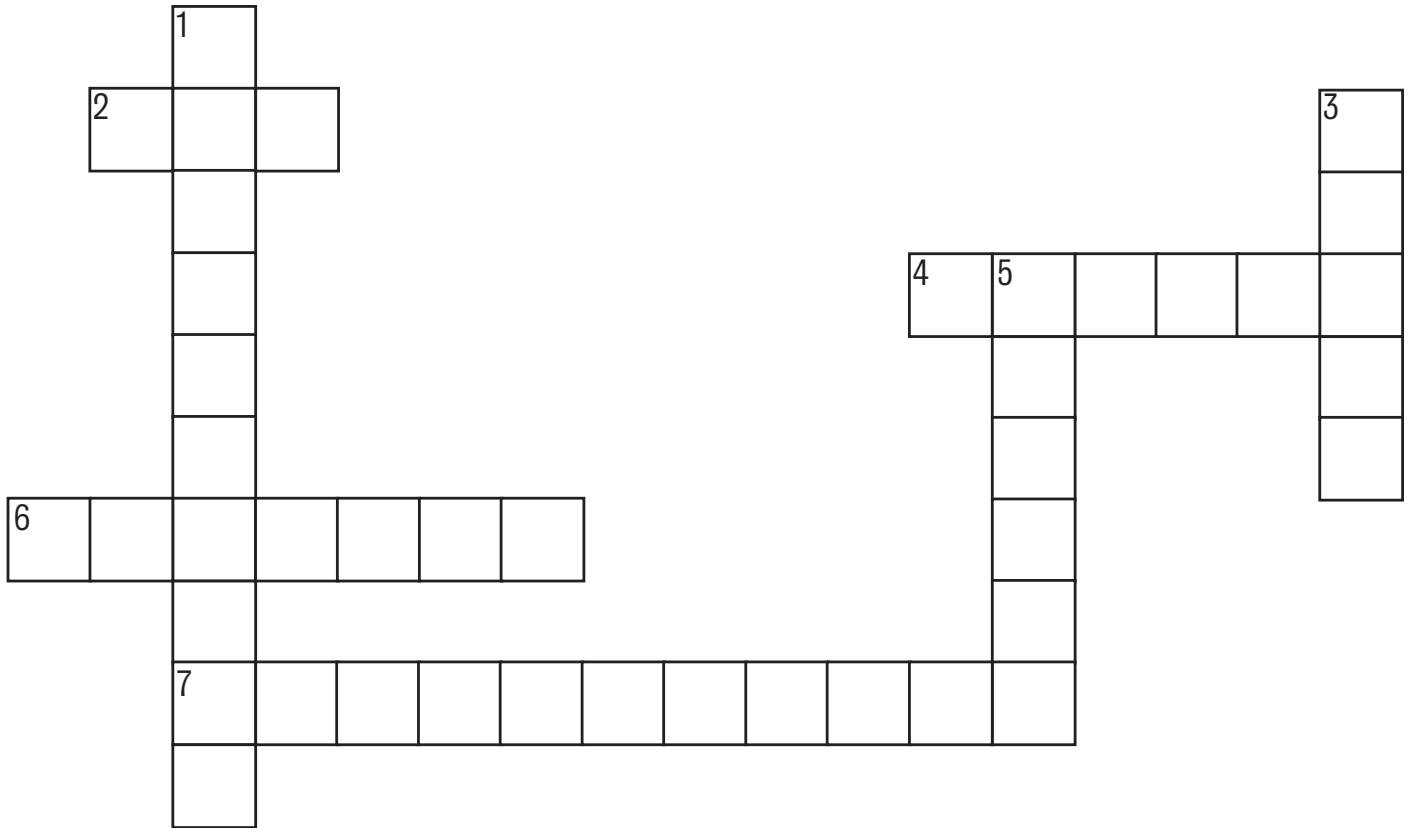


3 7/8 inches



Crossword Puzzle

Tools used in the Skilled Trades.



ACROSS

- 2 Use this to cut wood in half
- 4 Use this to dig a hole
- 6 Use this to protect your head
- 7 Use this to twist a screw in the wall

DOWN

- 1 Use this to apply paint to the wall
- 3 Use this to measure
- 5 Use this to put nails in wood

Word Scramble

Help unscramble each word!

O S U H E

— — — — —

R C U K T

— — — — —

G V L O S E

— — — — —

M A H E M R

— — — — —

Connect the Dots



Match Up

Can you figure out which job uses which item?
Draw a line connecting each job with the item they use.

Job

Item

Painter

Light Bulb

Electrician

Brick

Plumber

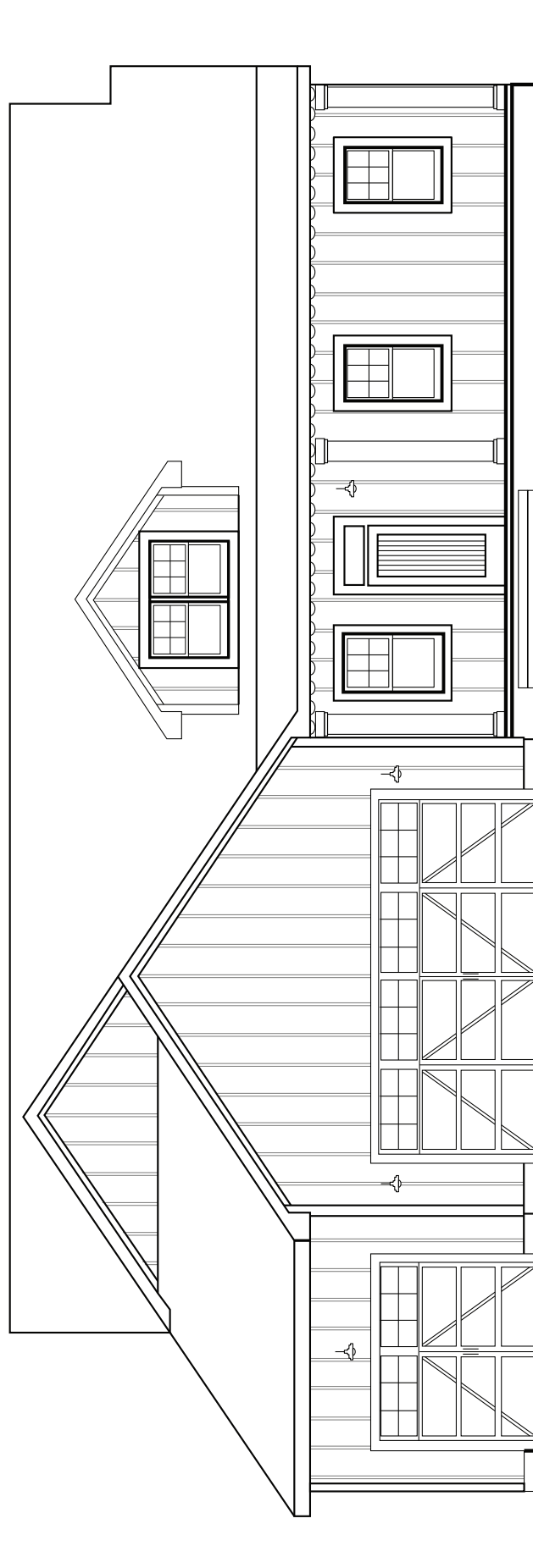
Saw

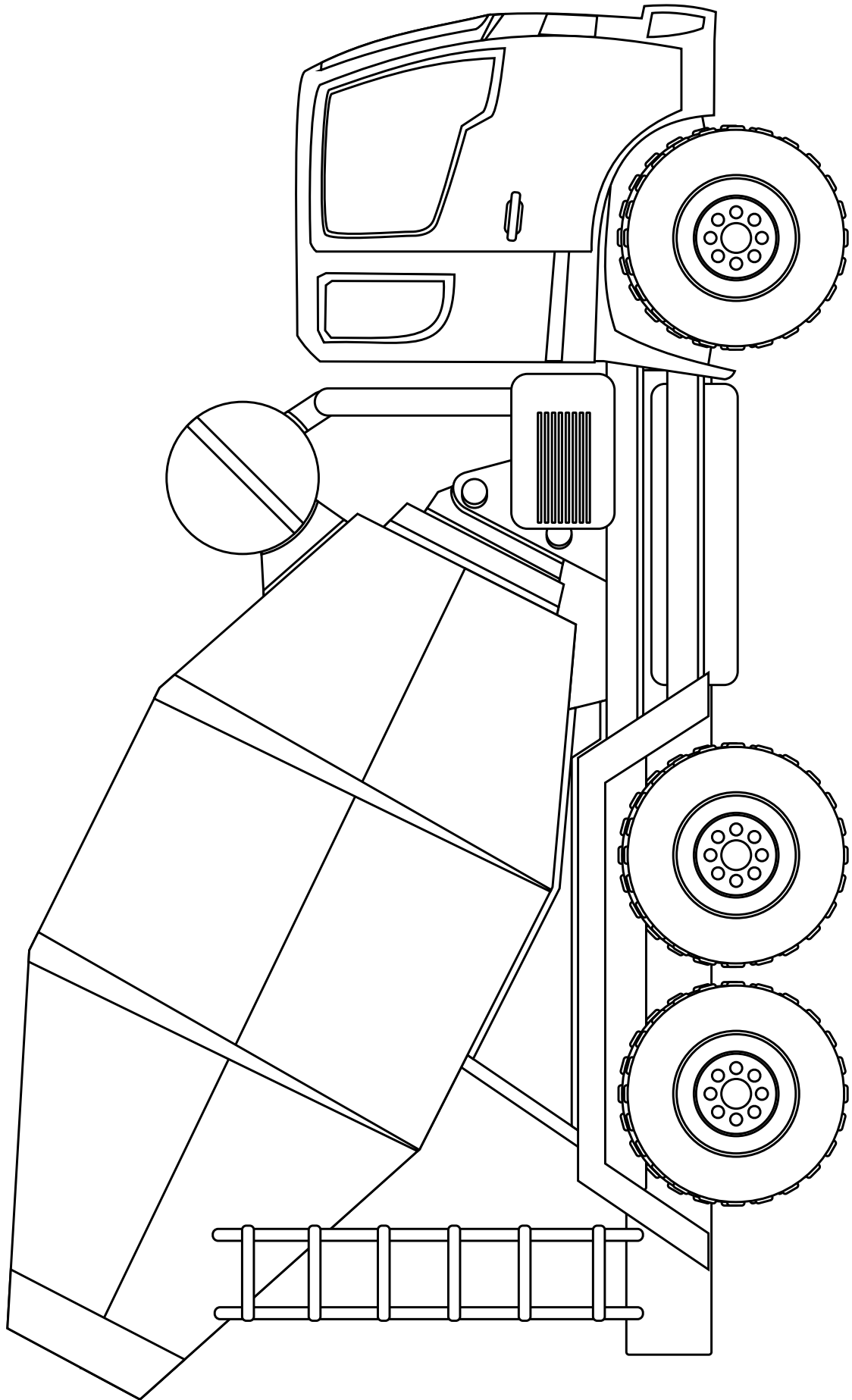
Carpenter

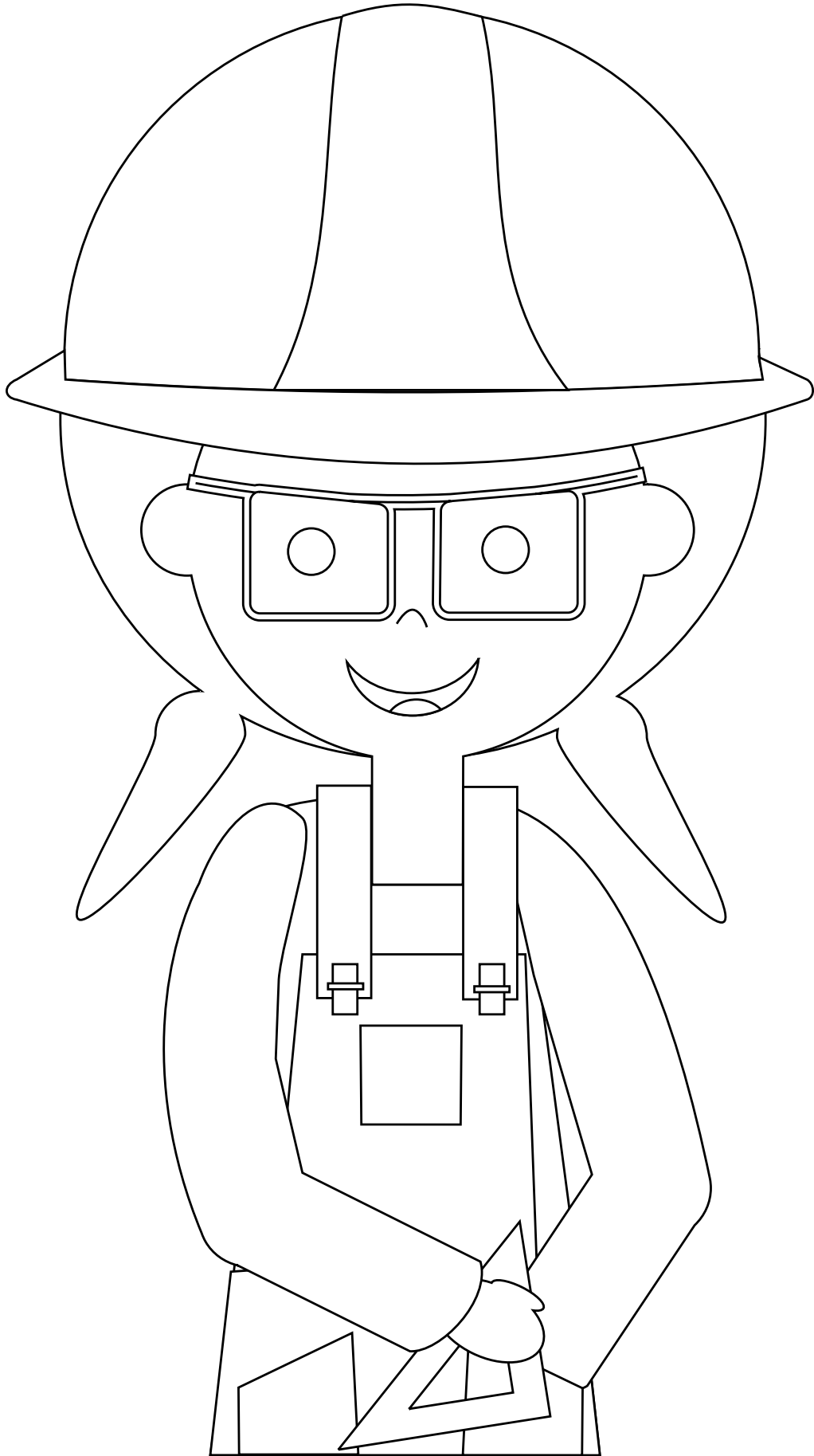
Paint Brush

Masonry

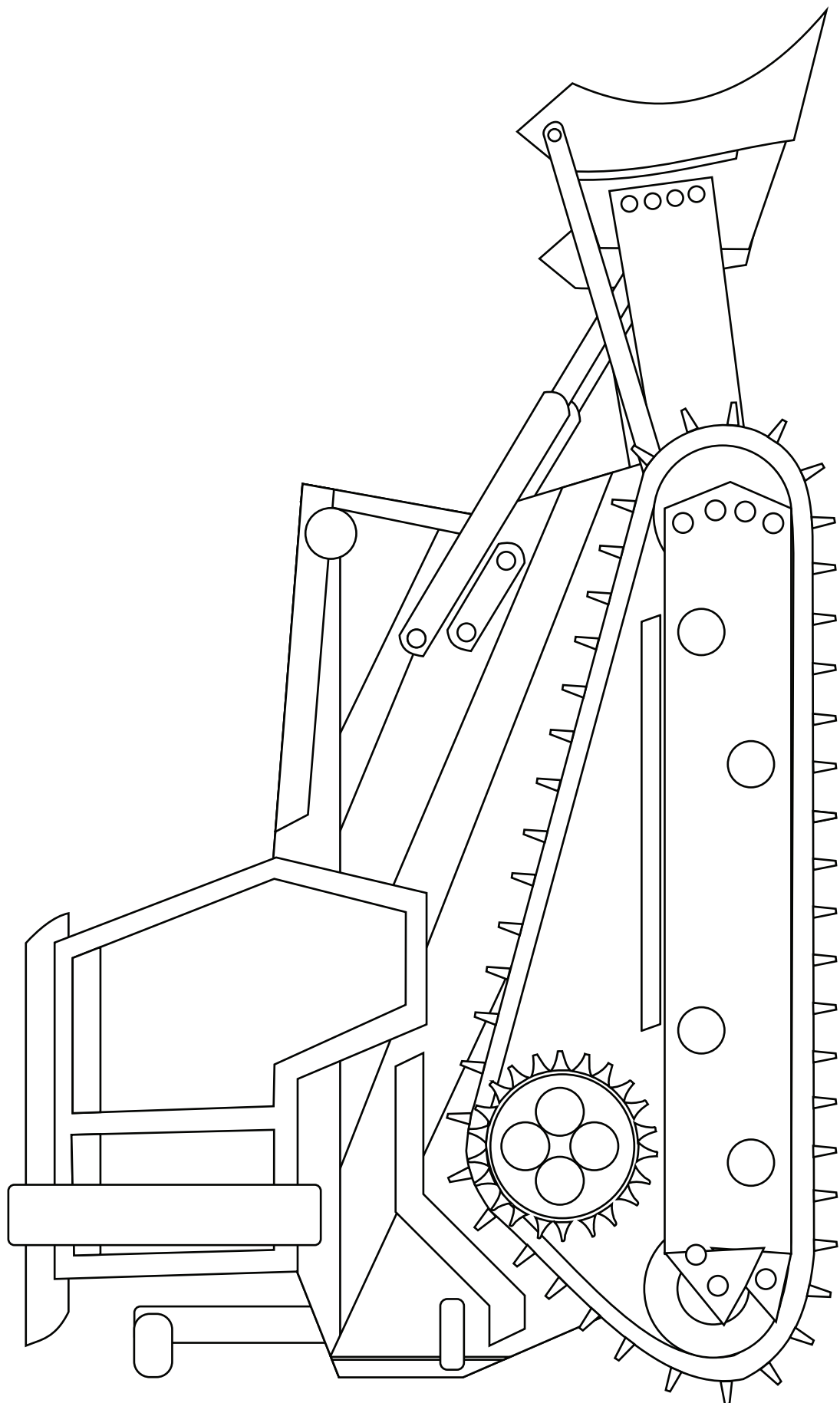
Wrench

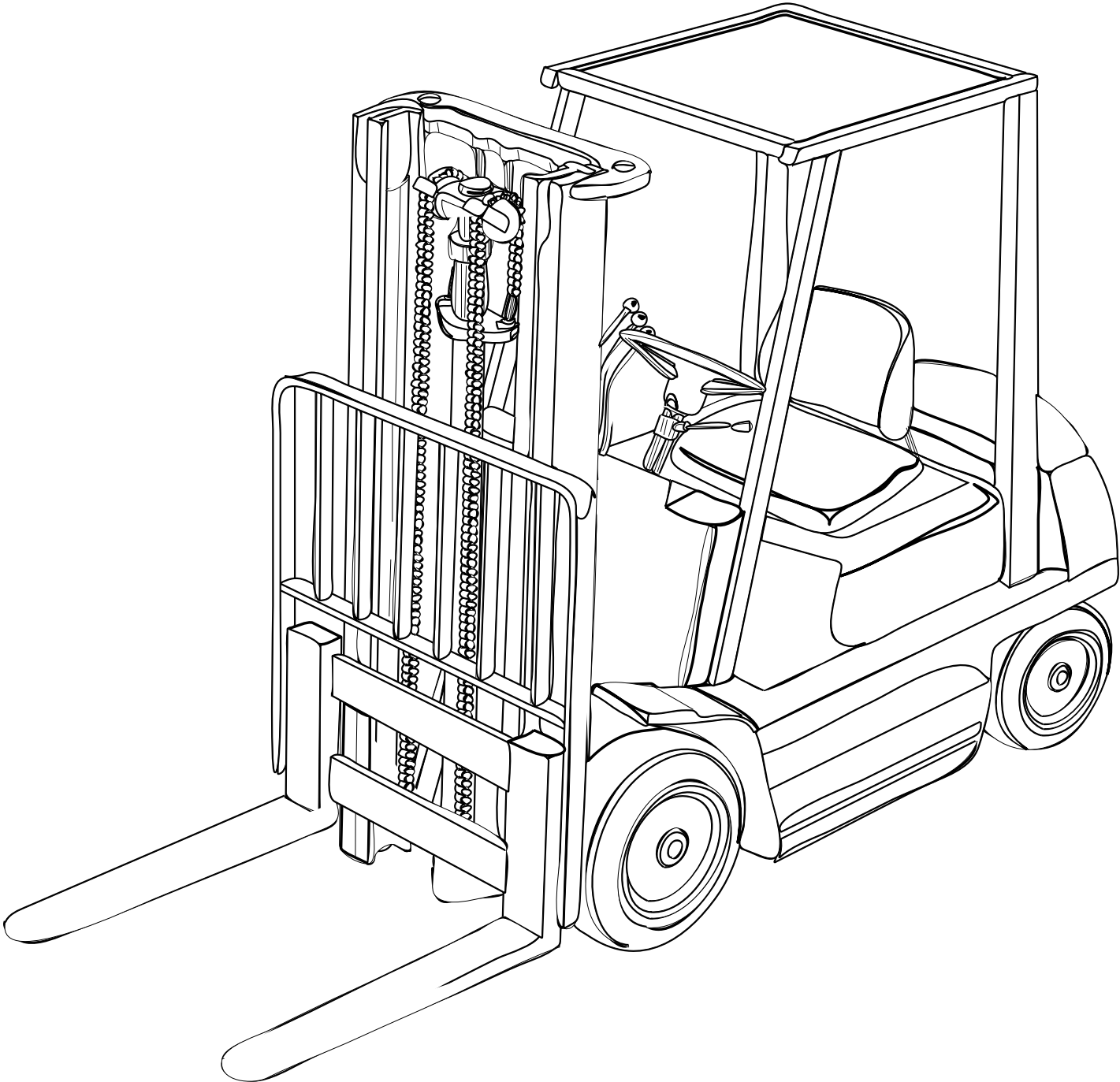








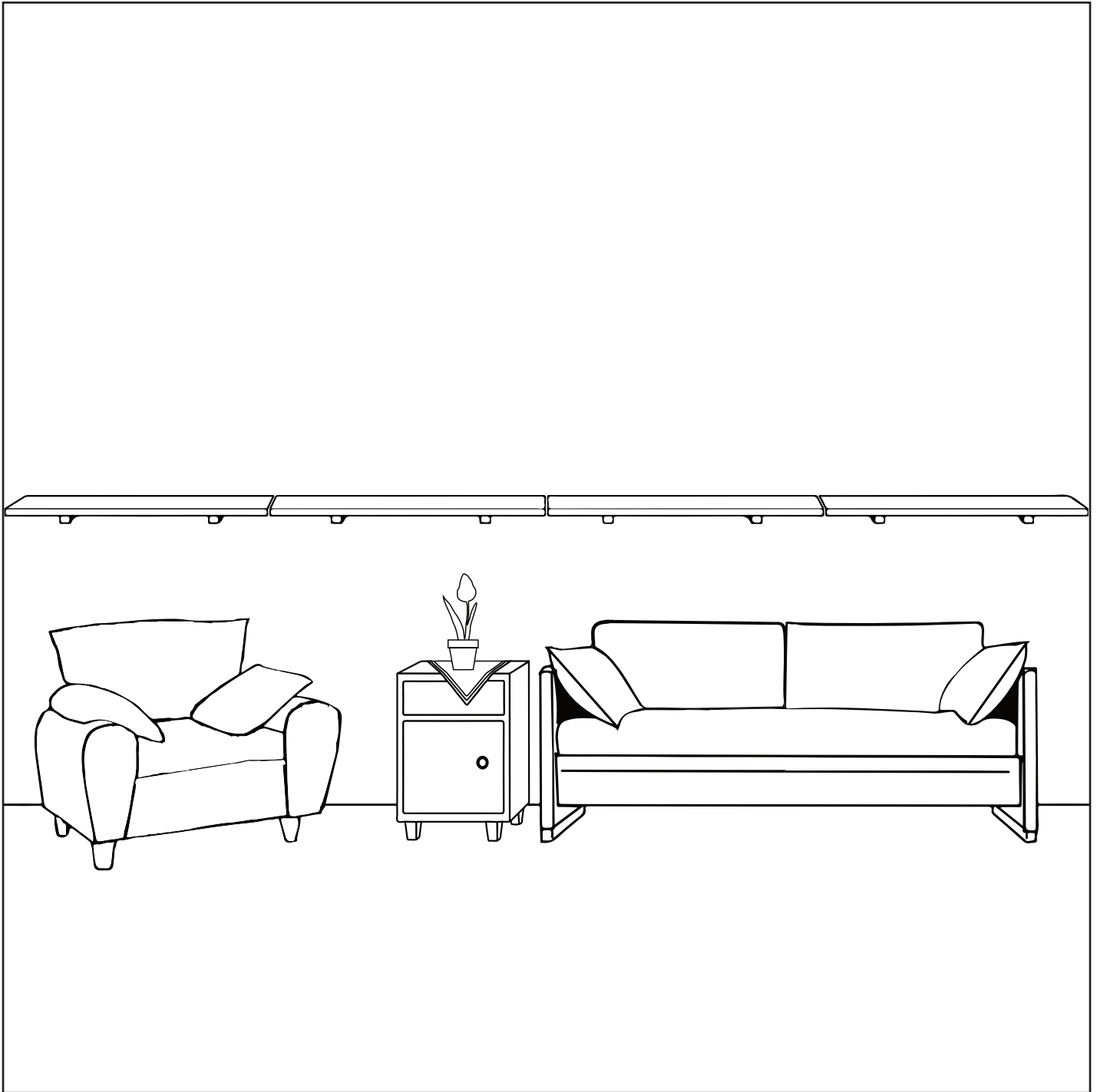






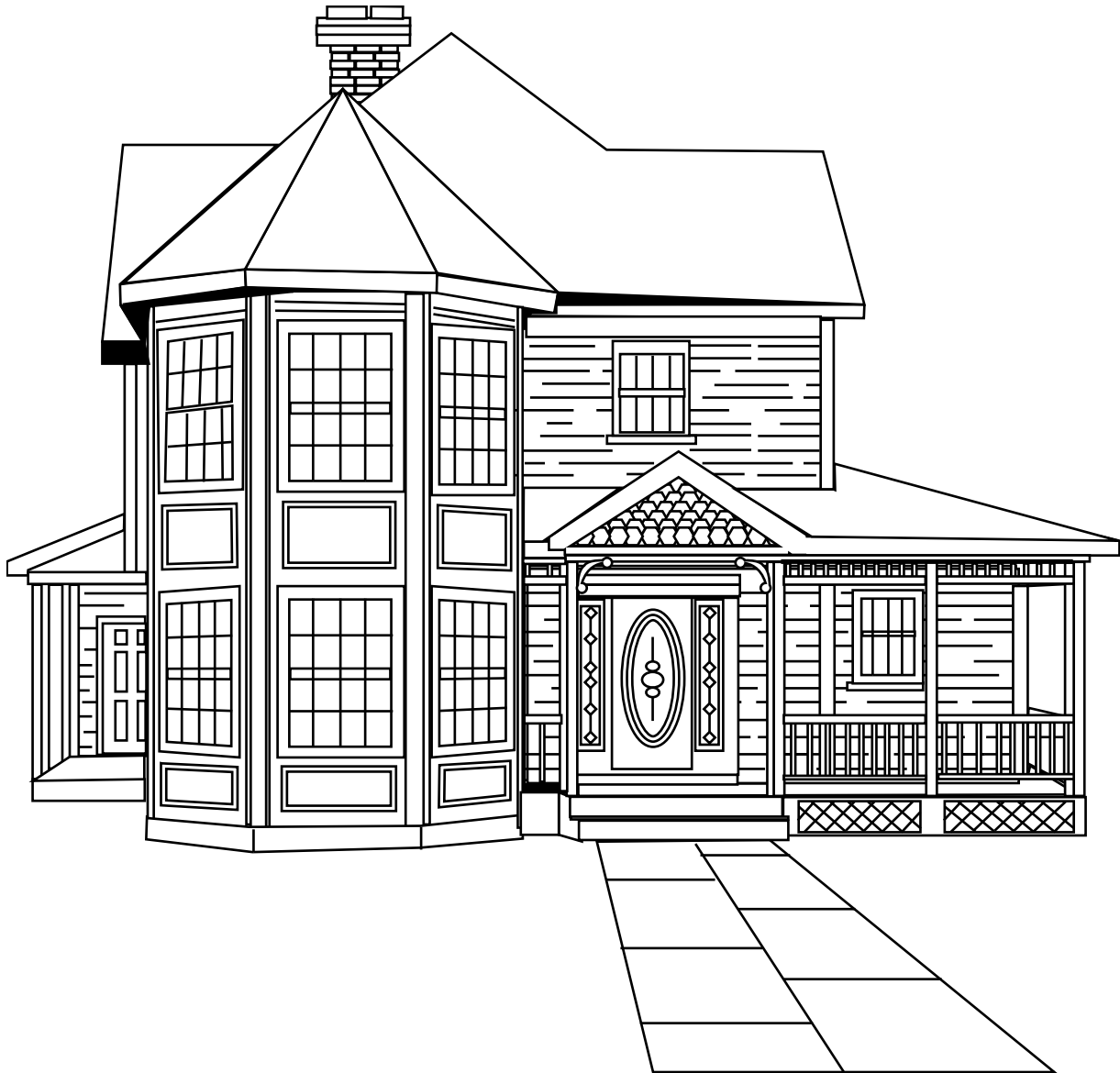
Decorate The Living Room

Design your own living room. What colors will you use? Try adding more items like a rug, art on the wall, or decorations on the shelves!



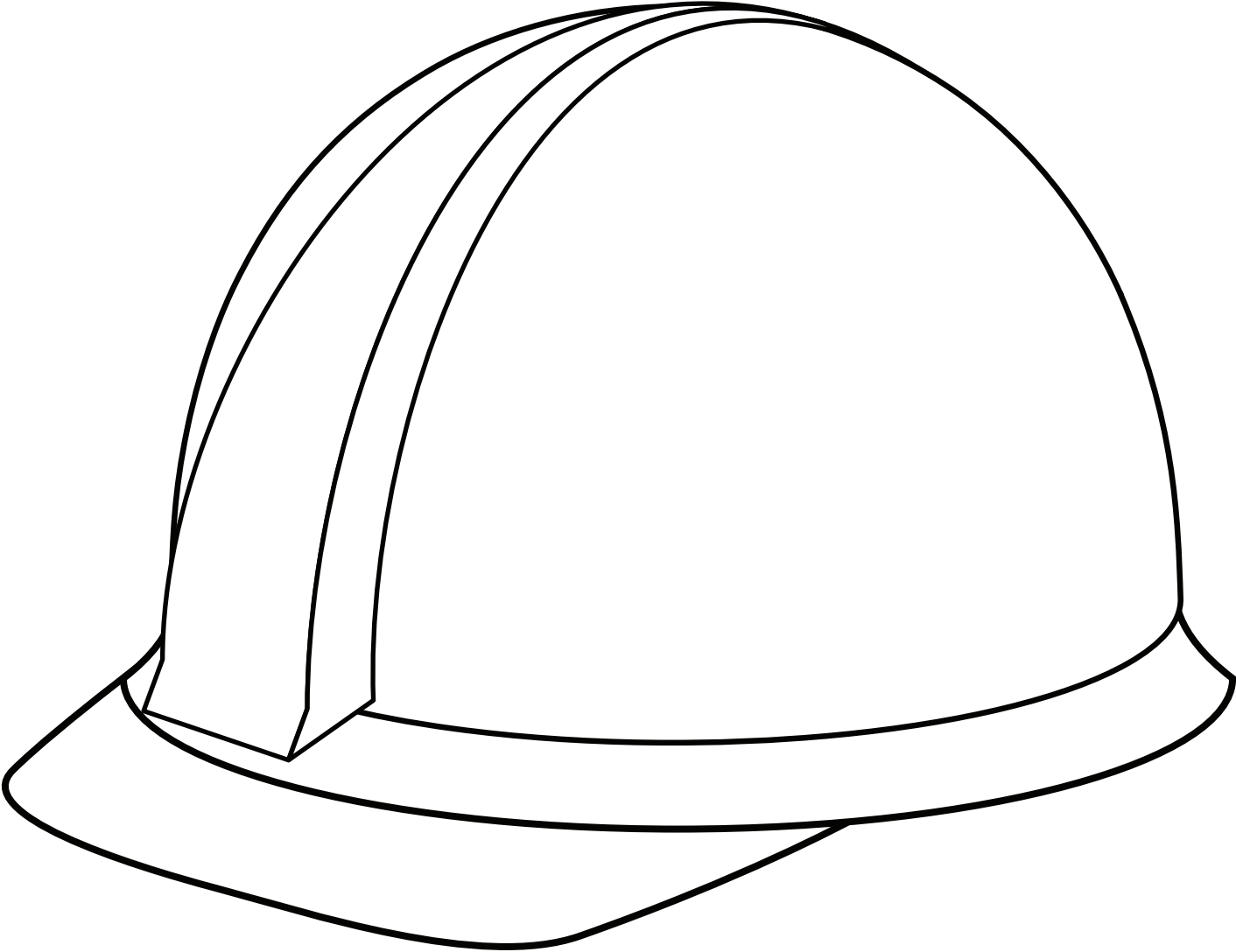
Landscape Design

This magnificent house needs some landscaping done. Add in flowers, trees, rocks, etc. to create a beautiful front yard!



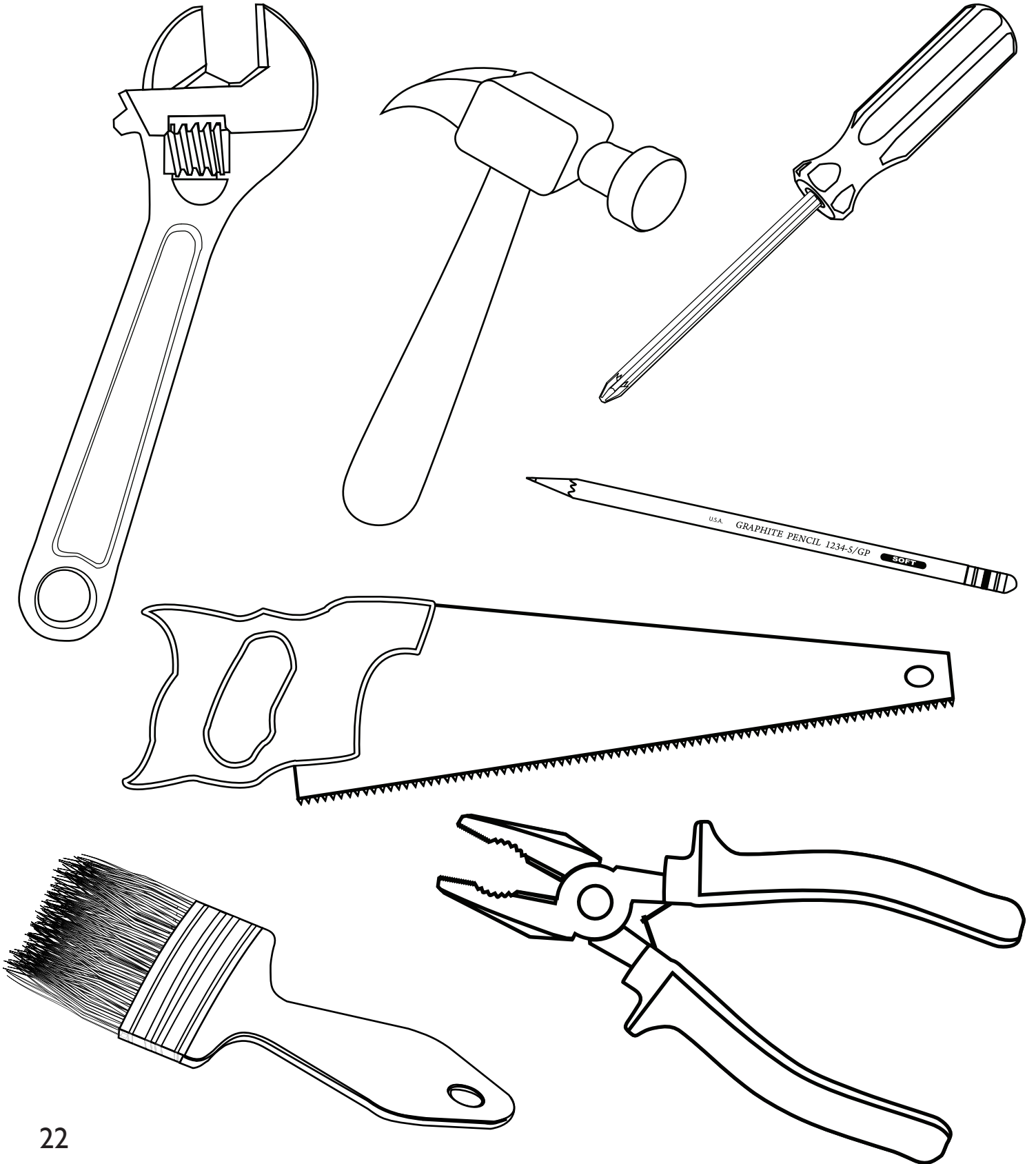
Decorate The Hard Hat

Design your personal hard hat.
What colors or patterns would you use?



Tools of the Trades

Can you name some of the tools that are used in the Skilled Trades?



When I grow up I want to be a/an

Draw yourself doing your dream job!

